

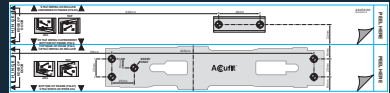
Briton
DOOR CLOSERS

WITH **Accufit™**



PEEL & STICK TEMPLATE FOR EASY, ACCURATE INSTALLATION

Accufit peel & stick templates support straightforward and accurate installation, delivering results that help to overcome the issues caused by incorrect installation.



Templates provided for door mount, parallel arm and transom mount applications.

BRITON.CO.UK
TRUSTED SINCE 1907

ALLEGION 

Briton
DOOR CLOSERS

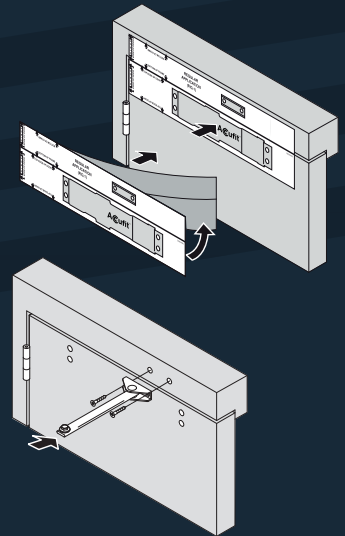
WITH **Accufit™**

Accufit self-adhesive installation templates dramatically improve accuracy of fitting, reduce installation time and increase reliability.

The Accufit system has been designed to simplify installation and improve accuracy of fitting to ensure the effective operation of the door and enhance the life of the product.

THE BRITON ACCUFIT SYSTEM IN ACTION

- Select the correct fitting application and peel away the self-adhesive backing.
- Using the arrow triangles line up the self-adhesive template with the top edge of the door and smooth down in place.
- Repeat this process for the arm bracket or track arm depending on the fitting application or product selected.
- Mark the screw hole fixing positions onto the door/frame for the door closer body, arm bracket or track arm.
- Peel away the template to reveal the pilot holes on the door and frame.
- Follow the pictorial step by step fixing and mounting instructions.



BRITON.CO.UK
TRUSTED SINCE 1907

Tel. 0330 8080 617

ALLEGION 