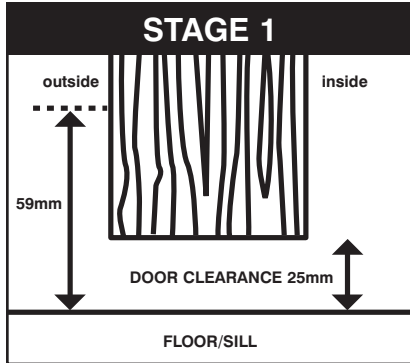




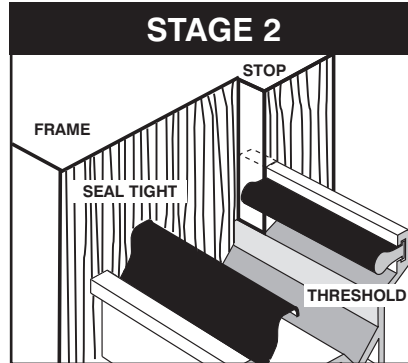
Seal n Save DRY-X WINTERBAR

Fitting Instructions

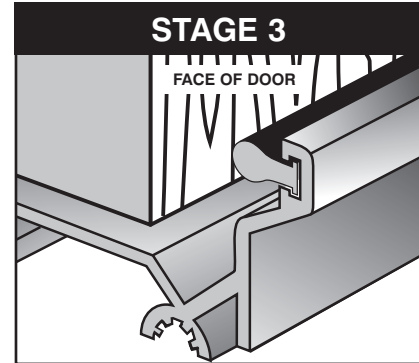
Please read instructions carefully before fitting the Threshold



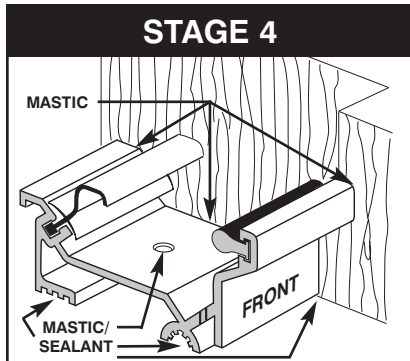
Ensure the door/floor clearance is 25mm. Close door tightly to latch. Ensure Sill is level, clean and dry. With the door closed, measure 59mm from the sill (or floor) on door face at the hinged side and the latch side. Draw a line between these two points.



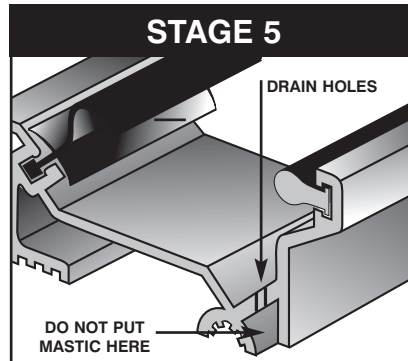
Cut seals and threshold to fit tightly and neatly between frame. Cut front edge of threshold and front seal to fit around door stops as shown. The front face of the sill will then make contact with the stops.



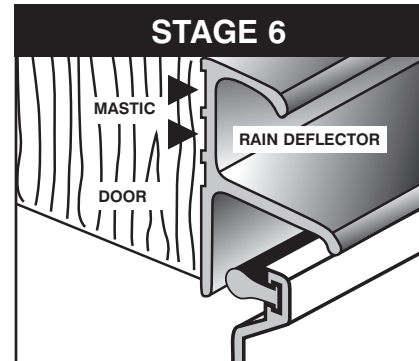
With threshold in position (**not fastened at this stage**) and the door closed, ensure that the front inside seal is in alignment with the door all along its length. Mark this position on the sill. Drill holes in sill/floor and plug where necessary.



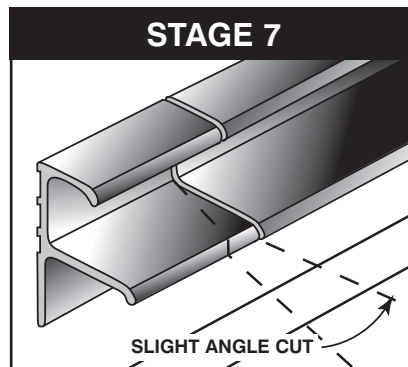
Apply **Admastik** sealant to the following areas **ONLY**: sealing channels beneath threshold, each end where it meets the frame, the counter sunk part of the screw holes.



Take care that the drain holes and space behind protector bar are **not** filled with sealant. Align threshold to mark (see stage 3) and fix into position.



Cut rain deflector section to fit neatly between door stops. Fix the rain deflector with its top edge on the line marked in stage 1, applying Admastik as shown.



For double doors fit threshold to full width. Cut rain deflector section into two at slight angle as shown.

Seal n Save is manufactured by Stormguard