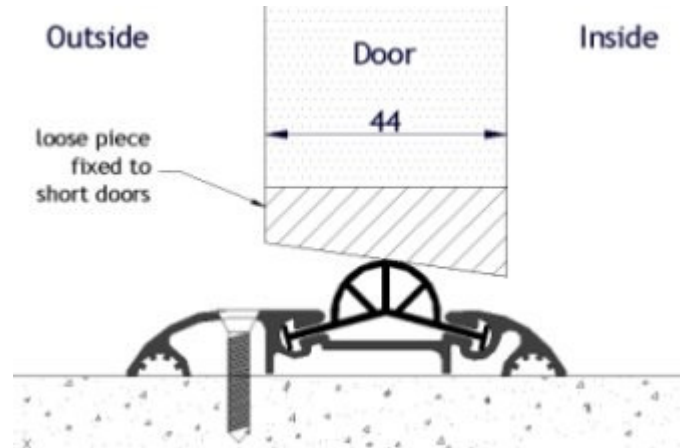
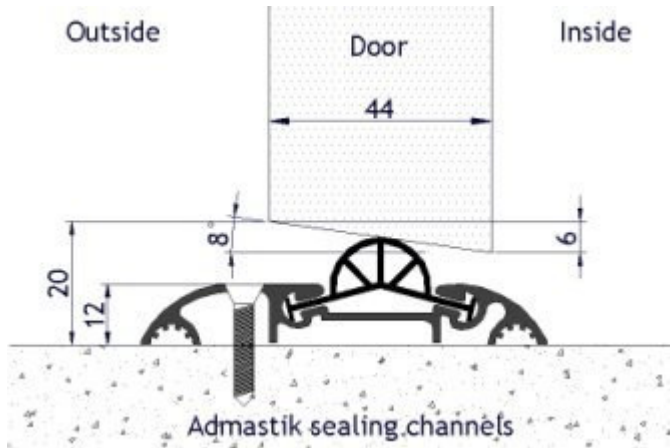


stormguard

CDX FITTING INSTRUCTIONS

Study all instructions before commencing fitting work



1. Before removing door from its hinges measure the gap between the bottom of the door and the floor beneath, all along its length, noting any variations due to uneven floor etc...
2. Remove the door and saw a piece off the bottom of the door at an angle of 8° which raises the outside bottom edge 20mm above the floor and the inside edge 14mm above the floor. This ensures that the draught strip is compressed as in fig 1 when the door is closed.
3. Cut the CDX to exact width of the doorframe, i.e. fractionally longer than the door width.
4. Cut away doorstops to a height of 12mm above the door width.
5. Before fitting CDX to floor, rehang the door temporarily and test accuracy of work so far.
6. Remove the door again. Sand and paint door bottom and do not rehang until thoroughly dry.
7. Fit CDX in position and drill floor. Apply Stormguard Admastik liberally in the two sealing channels and also in the two parallel lines in the floor. Wait for Admastik to partly set before fastening CDX firmly to floor with stainless steel screws provided. Ensure that the ends of the CDX are sealed to the doorframes with Admastik.

NB

1. If a door is cut off to short to compress the draught strip, fasten a suitably shaped piece of wood, cut to size, on the underside of the door (see Fig 2).
2. It is essential that the contact surfaces are clean and dry before applying Admastik.

Tools Required : Pencil, small hacksaw, wood saw, wood chisel, drill, Admastik & pliers.

For door sills to work to their maximum performance they must be heretically sealed and rigidly fastened to the floor to prevent any possibility of water penetration under the sill.