

RYT-X EXTERNAL AROUND DOOR SEAL SET FITTING INSTRUCTIONS

Kit contents: 1 x instruction leaflet

Either:

2 x long lengths RYT-X ADS 2134mm (7' 0") & 1 x short length 914mm (3' 0")

or

2 x long lengths RYT-X ADS 2430mm (8' 0") & 1 x short length 1200mm (4' 0")

Complete with stainless steel fixing pins or screws.

Please read and familiarize yourself with these instructions before attempting to fit this product.

NOTE RYT-X ADS is intended for fixing to the outside of the door frame on external inward opening doors. Please refer to the diagrams on page 2.

1. Measure the top inside width of the door frame and cut off the short length of the door set to this size. **(See Fig. 1 "x")**. Leave approximately 25mm of the rubber strip protruding from either end. (See Important Note at bottom of Instruction Sheet).
2. With the door in the closed position hold this short strip along the top of the door frame ensuring that the rubber strip is pressing on the door all along its length. As a guide to the pressure required the outside thick part of the aluminium section should be 4mm away from the surface of the door all along its length. **(See Fig. 2)**. Mark this position on the frame.
3. Open the door, hold the strip up to the mark and nail or screw in position using the fixings provided. **(Before fitting the 'screws type' door set it is advisable to make small 'pilot' holes with a bradawl or drill to facilitate easy entry of the screws. This is particularly important on hardwood frames where a greater effort may be required to tighten the screws).**

Repeat the measuring operation in Steps 1, 2 and 3 above for the two longer strips of the door set to be fitted down each side of the door frame, **(See Fig. 1 "y" & "z" and Fig 3)**. **Take great care not to allow the door to catch the rubber along the hinged side when closing. On slightly twisted doors or frames fit the hinged side strip with the door closed so that it just touches the door. This will prevent any possibility of the rubber being trapped when closing the door**

It is recommended where the side pieces meet the top piece that the corners be notch cut. **(See Fig. 4)**.

Important Note

When cutting the RYT-X ADS rubber strip to length leave the strip protruding by approximately 25mm from either end of the aluminium housing.

If the rubber strip seems to have lost its tension and is wrinkly, using pliers pinch one end of the aluminium onto the rubber strip to hold in position, then pull the strip until the wrinkles are removed. While holding the tension on the strip, pinch the other end of the aluminium to keep it in tension and then trim the strip to the correct length.

Fig 1 Measure here

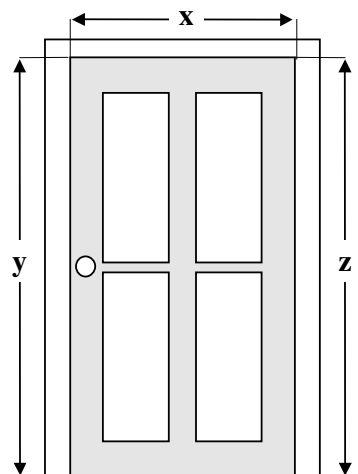


Fig 2 fitting to top of door frame

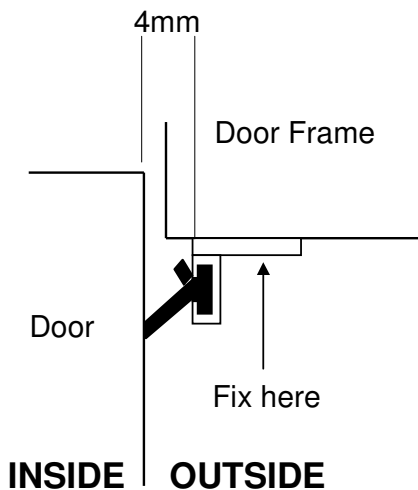


Fig 4 Corners

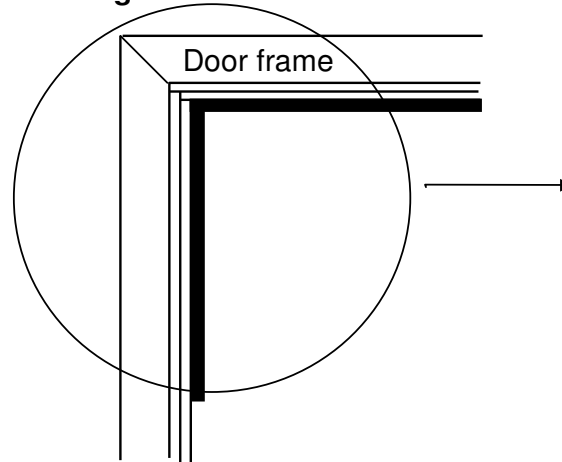


Fig 4a Finished Corner

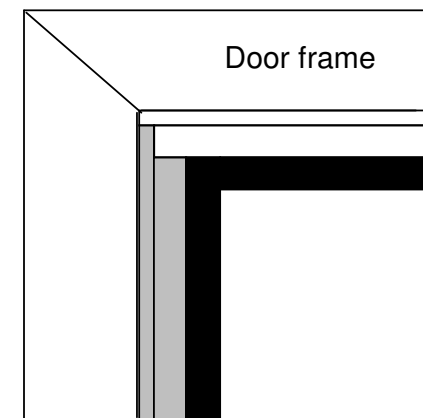


Fig 3 Fitting to door frame and sides.

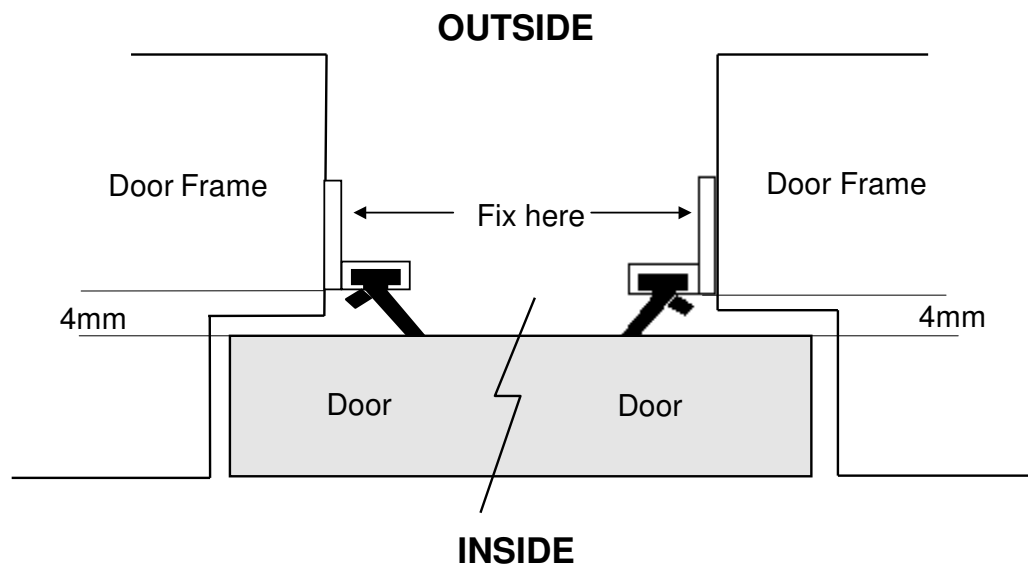
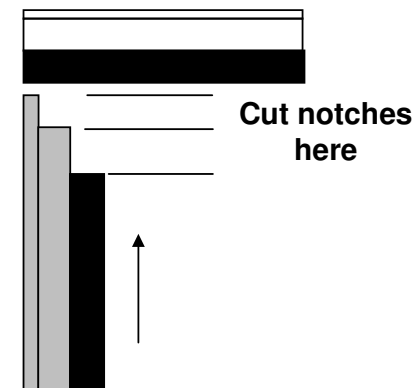


Fig 4b



When the top piece of the RYT- X Around The Door Draught Excluder has been fitted to the top of the door frame, the side pieces can then be notch cut to create a neat, efficient seal.

The side pieces should be offered up to the top piece and cut to accommodate the top piece as **Fig 4b**

Please refer to written instructions on page 1